

500W SHAKE & TAKE
Instruction Manual
MODEL CC500STKD

WHAT'S INCLUDED



Blade, Lid, Bottle, Motor Unit, Chopper Bowl



Instruction Manual

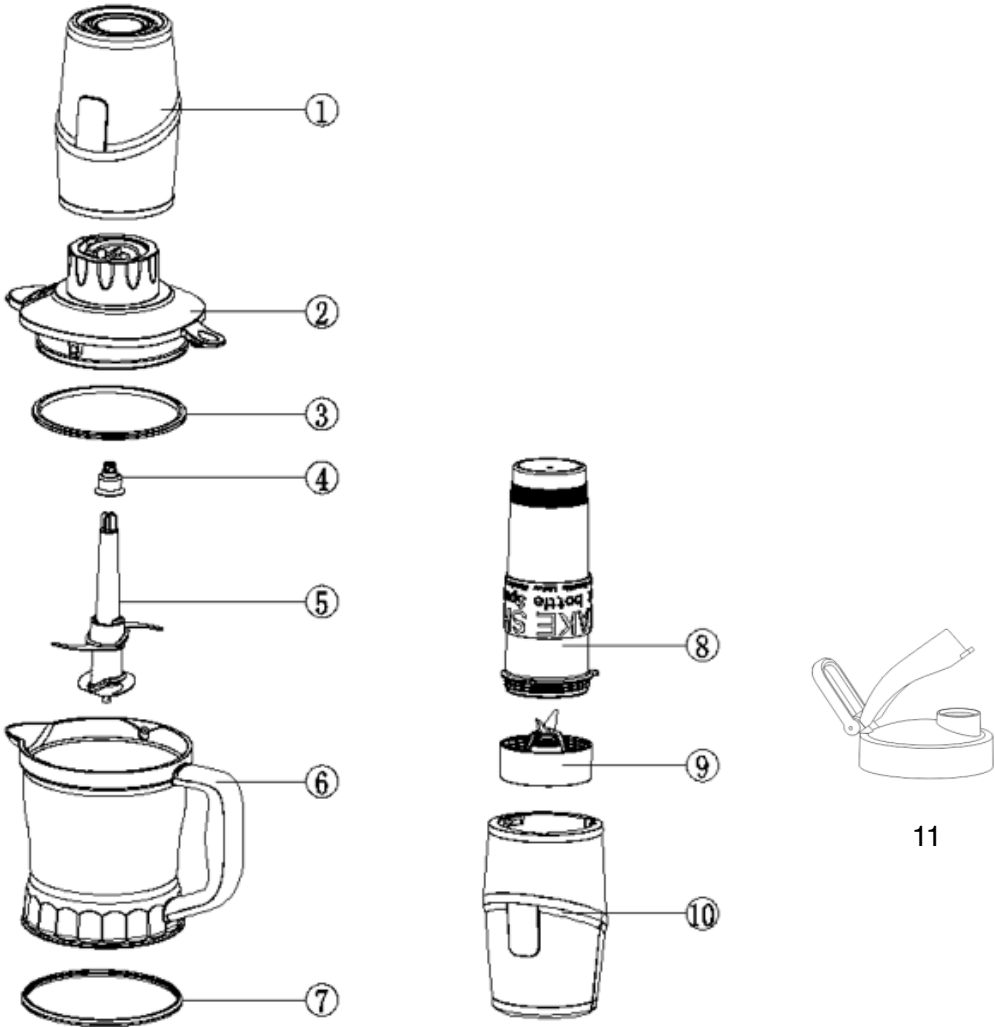
IMPORTANT SAFEGUARDS

When using electrical appliances, basic safety precautions should be followed as follows:

- Read all instructions.
- Do not use for anything other than intended use.
- Do not place the unit on or near gas or another hot environment to avoid damages.
- Use extreme caution when moving the unit.
- Do not use near an open flame or cooktop.
- Place the unit on a level surface away from walls and cupboards. Do not let the cord hang over the edge of a table or counter or touch hot surfaces.
- Do not immerse the motor unit in liquid or allow liquid to be in contact with electrical parts.
- Close supervision is required when any appliance is used by or near children.
- Do not put ingredients over 158°F in the bottle or chopper bowl.
- Avoid touching the cutting edges of the blade as they are extremely sharp.
- Wait until the blade has stopped rotating before you remove the lid.
- Never operate the appliance when it is empty.
- Do not touch the control panel with any sharp instruments.
- Do not use unit with an extension cord, always plug into a wall outlet.
- To prevent electrical shock do not immerse cord, plugs, or appliance in water or other liquid.

- Do not use the unit if the cord is damaged.
- Do not use outdoors.
- The use of accessory attachments not recommended by the appliance manufacturer may cause injuries or damage to the unit.
- **SAVE THESE INSTRUCTIONS.**

PARTS IDENTIFICATION



- 1. Motor Unit
- 2. Lid
- 3. Sealing Ring
- 4. Connector
- 5. Blade
- 6. Chopper Bowl
- 7. Anti Slip Ring
- 8. Bottle
- 9. Blade Base
- 10. Motor Unit (Same unit as 1)
- 11. Drinking Lid

BEFORE FIRST USE

1. Remove all packaging materials, stickers, and labels.
2. Before use, clean appliance in accordance of the cleaning instructions in this manual on page 7.
3. Wipe the outside of the appliance with a damp soapy cloth.

USING THE APPLIANCE

1. To use the blender, place the bottle on a flat surface.
2. Fill the bottle with ingredients, do not fill over the max level line. (Do not use hard fruits.)
3. Fasten the blade base on the open end of the bottle.
4. Turn the bottle upside down, put the bottle and blade base together on the motor unit. Ensure the bottle and blade base are locked in place by turning it clockwise. This unit will automatically start blending.
5. Unlock the bottle from the base to stop blending. If the motor is overloaded, it will automatically stop. Wait 15 minutes to cool down motor and use again.
6. Turn the bottle over and place on a flat surface, take out the blade base and put the drinking lid on.
7. To use the chopper bowl, place the blade into the pin in the center of the bowl.
8. Put the ingredients in the bowl and the lid on the bowl.
Note: For meat do not put more than 7 oz.
9. Place the motor unit on the lid. Make sure that the lid and motor unit are locked in place.
10. Push the power switch to start the chopping process. When chopping ingredients, it is suggested to pulse several times. Once finished, remove ingredients.

CLEANING

To clean the blades, chopper bowl, bottle, sealing ring and the non-slip ring in warm water with non abrasive cleaners. **DO NOT IMMERSE THE MOTOR OR CHOPPER LID IN WATER, WIPE WITH A DAMP SOAPY CLOTH.**

NOTE: All items are dishwasher safe except the motor unit, blades and chopper lid.

STORAGE

1. Unplug the cord
2. Make sure all parts are clean and dry.

LIMITED ONE YEAR WARRANTY

This warranty covers all defects in workmanship or materials in the mechanical and electrical parts, arising under normal use and care in this product for a period of 12 months from the date of purchase provided you are able to present a valid proof-of-purchase. A valid proof-of-purchase is a receipt specifying item, date purchased, and cost of item. A gift receipt showing item and date of purchase is an acceptable proof-of-purchase. Product is intended for household use only. Any commercial use voids the warranty.

This warranty covers the original retail purchaser or gift recipient. During the applicable warranty period within normal household use, we will repair or replace, at our discretion, any mechanical or electrical part which proves defective, or replace unit with a comparable model. Shipping and handling costs are not included for warranty replacements and are the responsibility of the customer.

To obtain service under the terms of this warranty, send an email to customercare@alliedrich.net or call 312-526-3760 between 10AM and 4PM CT. Please provide the model number listed on the bottom of this page when contacting us.

THIS LIMITED WARRANTY COVERS UNITS PURCHASED AND USED WITHIN THE UNITED STATES AND DOES NOT COVER:

- Damages from improper installation.
- Damages in transit.
- Defects other than manufacturing defects.
- Damages from misuse, abuse, accident, alteration, lack of proper care and maintenance, or incorrect current or voltage.
- Damage from service by other than authorized dealer or service center.
- Shipping and handling costs.
- This warranty gives you special legal rights and you may also have other rights to which you are entitled which may vary from state to state.

Manufacturer does not assume responsibility for loss or damage for return shipment. We recommend that you keep your original packaging should you require repair service. Before returning product please contact our customer care department for return authorization. When returning product for repair please include your full name, return address, and daytime phone number. Also include a brief description of the problem you are experiencing and a copy of your sales receipt or other proof of purchase in order to validate warranty status.

MODEL CC500STKDB

